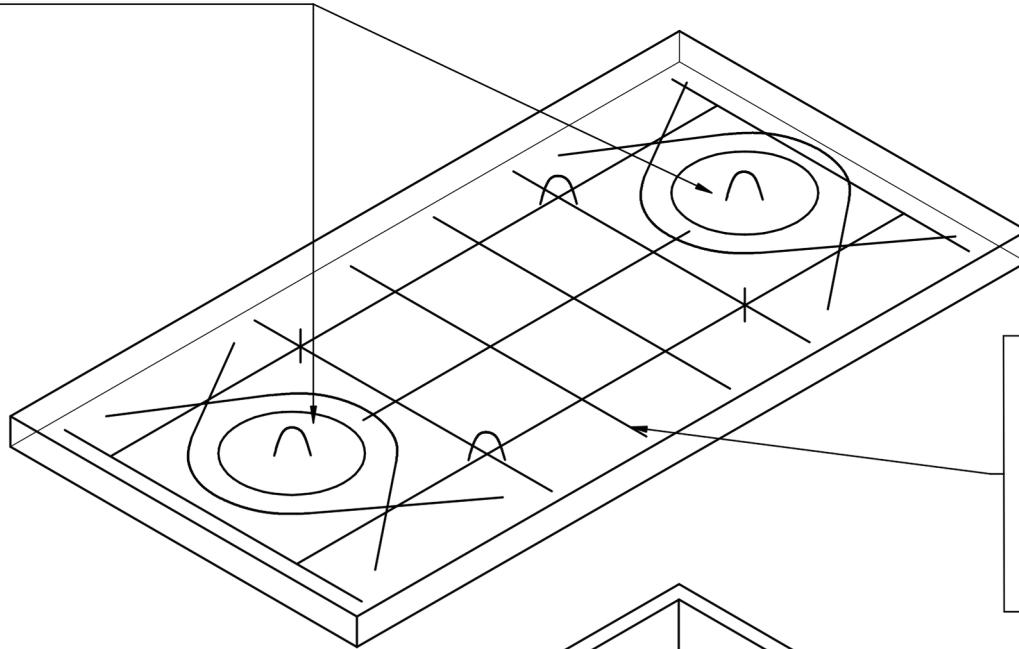


1500 Gallon Tank - 4" Walls
Deep Buried - H-20 Lid

McAtee Construction
1654 Cty Rd 22
Malmo, NE 68040
402- 310- 4569



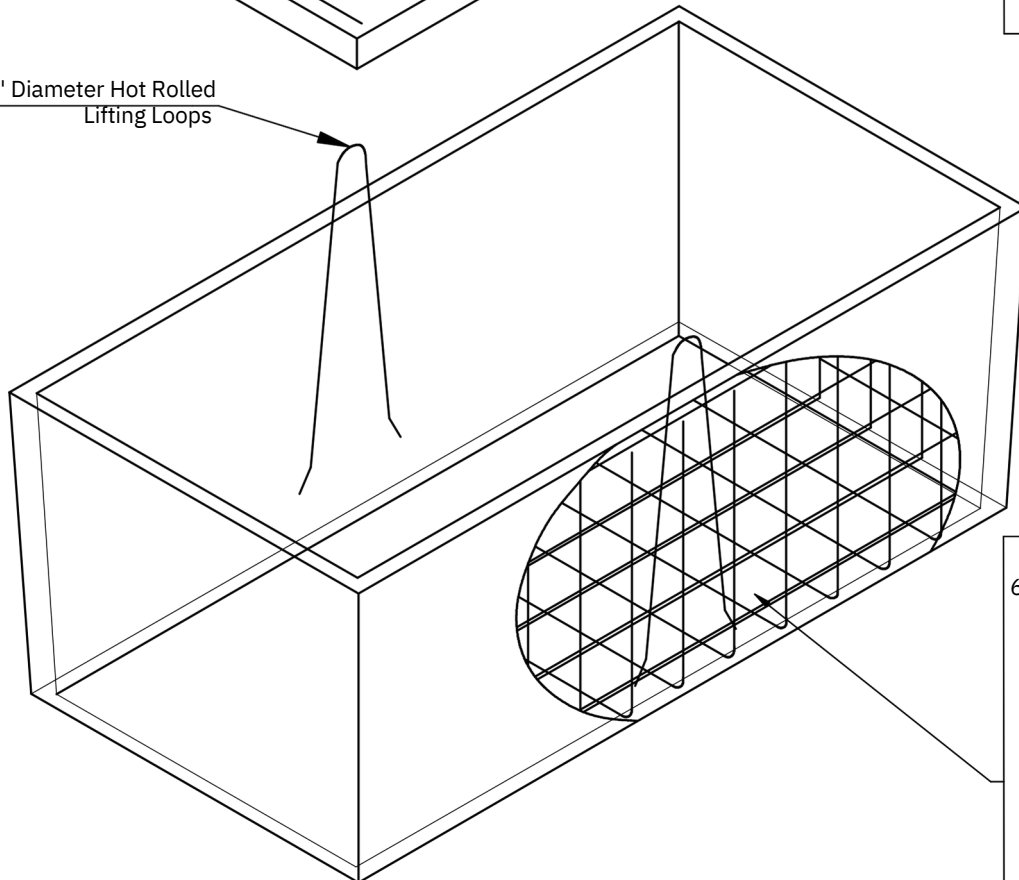
2 - 24" Man Hole Risers Poured In Place



Standard
#4 Rebar Grade 60
6" O.C. Both Ways
7.5" Thick

Upgrade
#5 Rebar Grade 60
6" O.C. Both Ways
7.5" Thick

1/2" Diameter Hot Rolled
Lifting Loops



Standard
6/6 or 10/10 Wire Mesh
In Bottom and Sides
To 6" from Top

Upgrade
#3 Rebar Grade 60
12" O.C. Both Ways
In Bottom and Sides
To 6" from Top

OR

#4 Rebar Grade 60
12" O.C. Both Ways
In Bottom and Sides
To 6" from Top

DRAWING NOT
TO SCALE