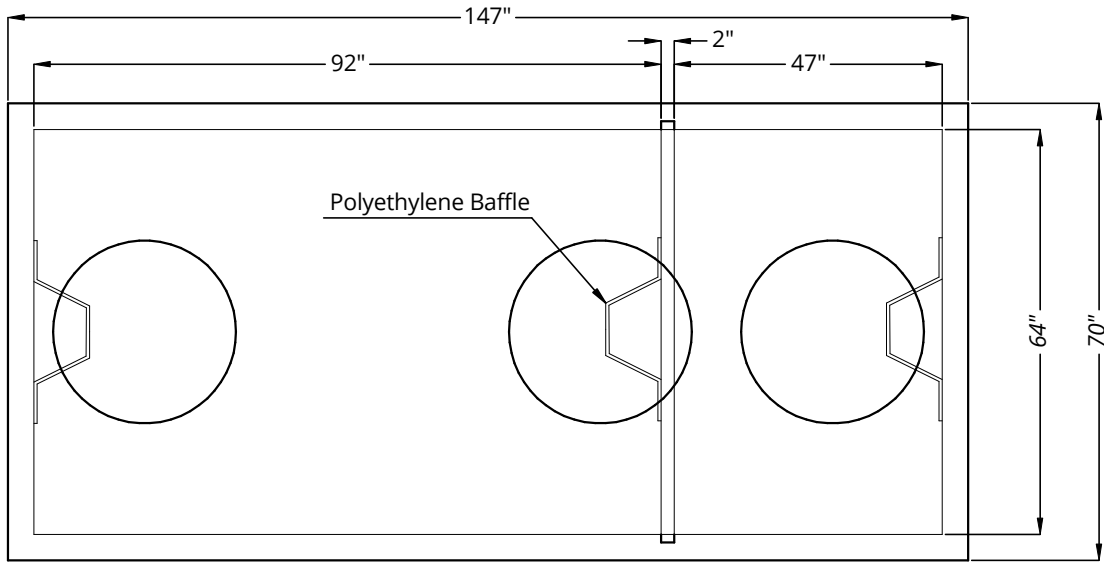


1500 Gallon  
2-Compartment Septic Tank

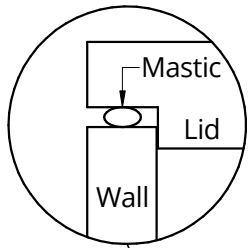
McAtee Construction Inc.  
1654 Cty Rd 22  
Malmo, NE 68040  
402-310-4569



Top View



Enlarged Detail



Side View

